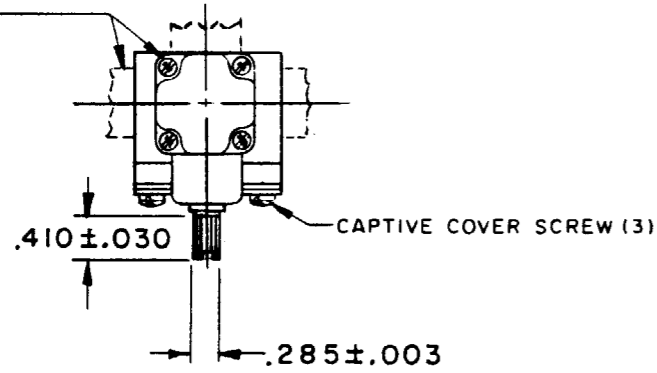
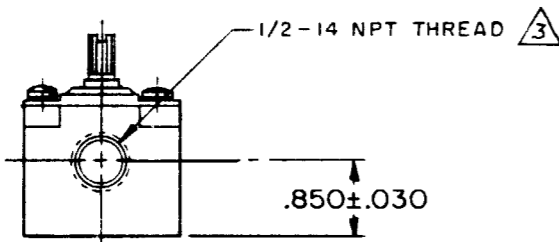
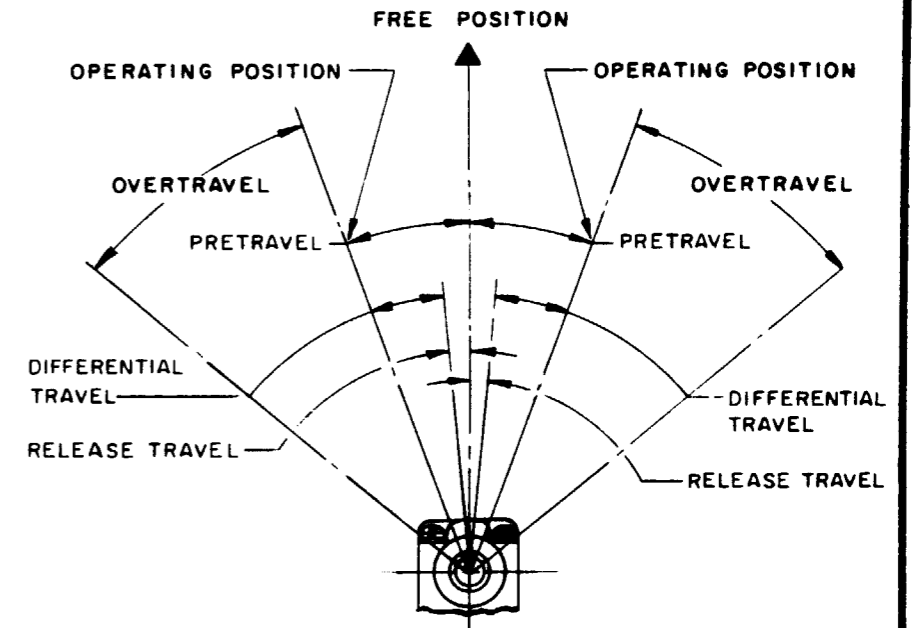
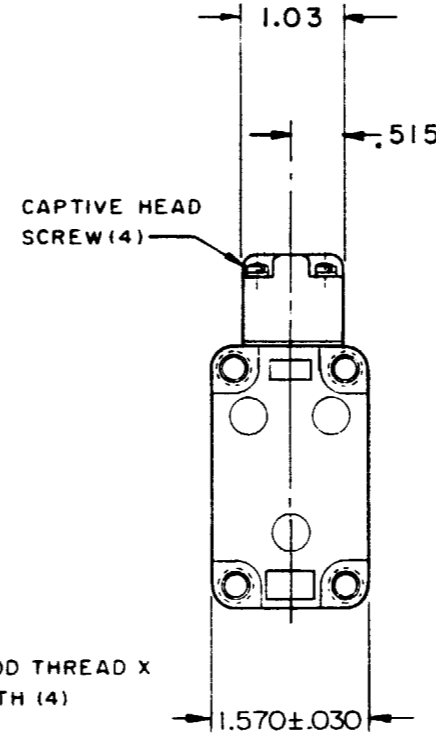
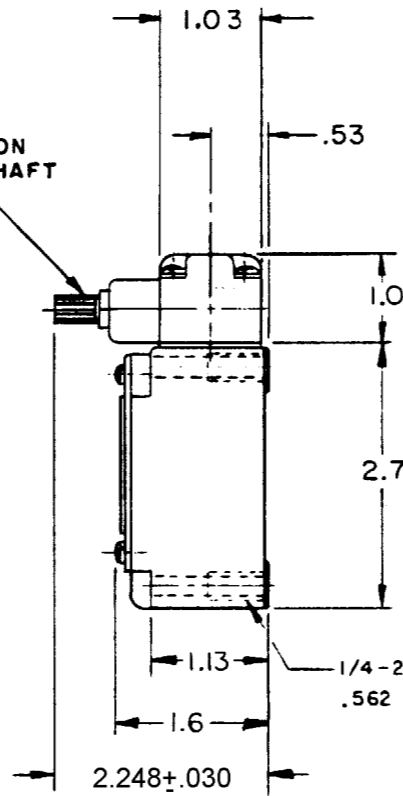
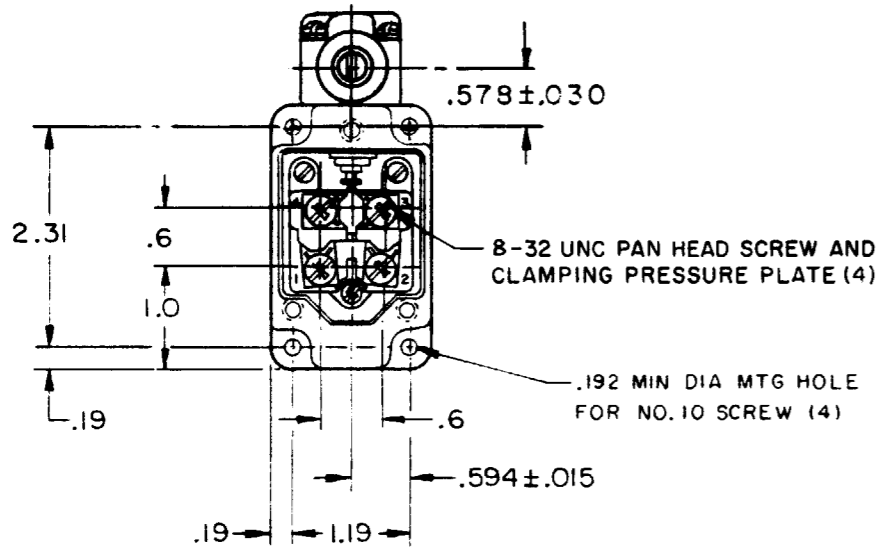


OPERATING HEAD MOUNTS
 IN ANY OF FOUR
 POSITIONS



HARDENED CORROSION
 RESISTANT STEEL SHAFT
 STRAIGHT KNURL



THIS DRAWING COVERS A PROPRIETARY ITEM AND IS THE PROPERTY OF MICRO SWITCH, A DIVISION OF MINNEAPOLIS-HONEYWELL REGULATOR CO. THIS DRAWING IS NOT TO BE COPIED OR USED WITHOUT THE APPROVAL OF MICRO SWITCH.

CHARACTERISTICS	ELECTRICAL DATA	SCALE 1/2 TO 1
OPERATING TORQUE — 4 1/2 IN LB MAX	CONTACT ARRANGEMENT (SEE CIRCUIT DIAGRAM)	DO NOT SCALE PRINT
FULL OVERTRAVEL TORQUE — 6 IN LB MAX	10A - 120, 240 OR 480 VAC 1/4 HP - 120 VAC; 1/2 HP - 240 VAC PILOT DUTY: 600 VAG MAX	UNLESS OTHERWISE NOTED
RELEASE TORQUE — 3/4 IN LB MIN		DIMENSIONS ARE IN INCHES
PRETRAVEL — 5° MAX		TOLERANCES ARE:
OVERTRAVEL — 30° MIN		ONE PLACE (.0) ± .030
RELEASE TRAVEL — 0°30' MIN		TWO PLACE (.00) ± .015
SWITCH-BASIC REPLACEMENT — 2MNB		THREE PLACE (.000) ± .008
		ANGLES ±
		WEIGHT

NOTES

- SWITCH IS ASSEMBLED FOR ACTUATION IN EITHER DIRECTION BUT MAY BE ADJUSTED TO ACTUATE THE SWITCH IN THE CLOCKWISE DIRECTION ONLY. THE COUNTERCLOCKWISE DIRECTION ONLY, OR IN BOTH DIRECTIONS
 - TO CONVERT SWITCH FOR ACTUATION IN EITHER THE CLOCKWISE OR COUNTERCLOCKWISE DIRECTION ONLY, REMOVE ACTUATOR HEAD AND ROTATE THE NOTCHED PLUNGER 90° TO THE RIGHT FOR CLOCKWISE ACTUATION OR 90° TO THE LEFT FOR COUNTERCLOCKWISE ACTUATION
- $\triangle 3$ SEAL TO BE FURNISHED BY USER

CATALOG LISTING
1LS9
 PAGE 1 OF 1
 ISSUE **M**
11
 REVISIONS
 A CO15200
 M B F
 18 JUNE 65
 B CO20324
 W E B
 13 OCT 66
 C CO23403
 R E R
 25 SEP 68
 D CO25152
 D A W
 17 APR 69
 E CO
 50952-G
 W J M
 25 JUN 83
 F CO
 53005-D
 C J H
 1 AUG 84
 G CO
 77031
 J D B
 17 DEC 93
 H 202823
 C S L
 11 APR 01
 RASTER
 DRAWN
 M B F 18 JUNE 65
 FO-80378-003